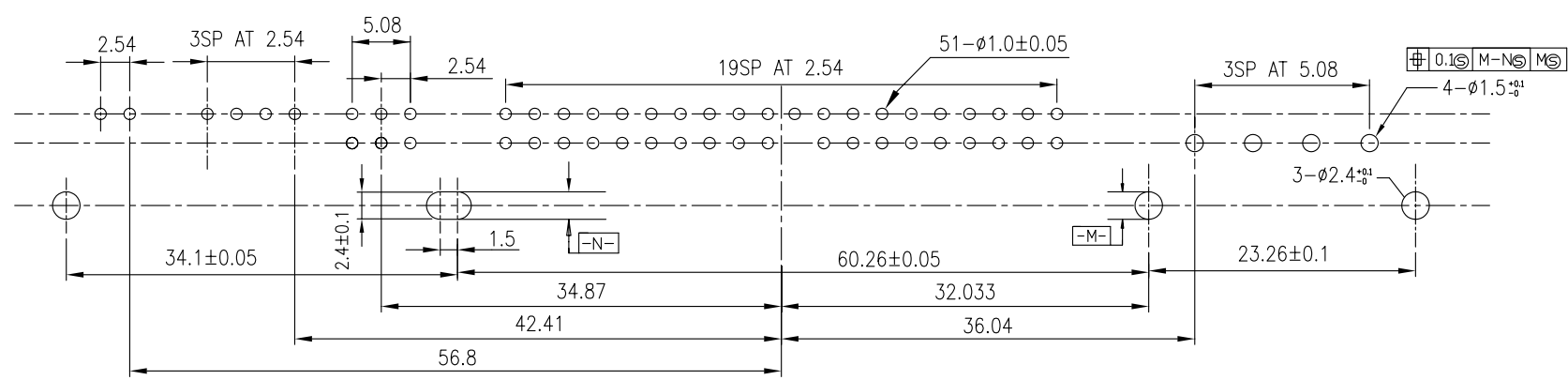
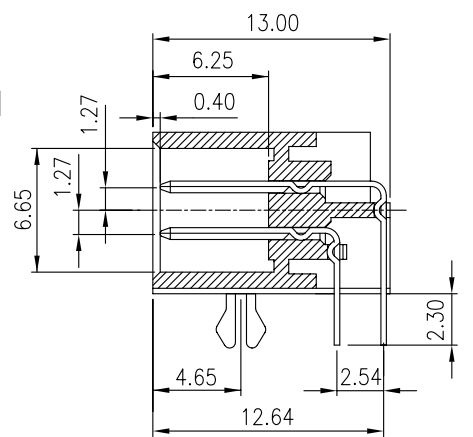


B-B' SECTION



PCB LAYOUT



C-C' SECTION